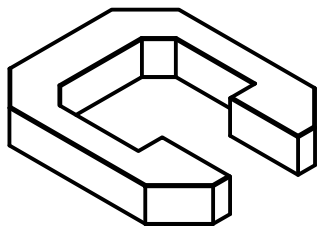
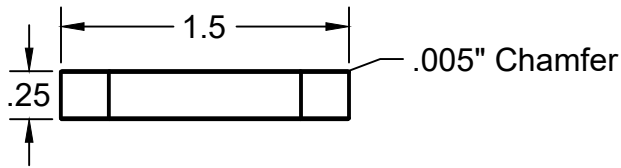


Part is symmetrical along X axis.



PROJECT

Wk5-Excercises

TITLE

4-1

APPROVED

SIZE

CODE

DWG NO

REV

CHECKED

A

DRAWN

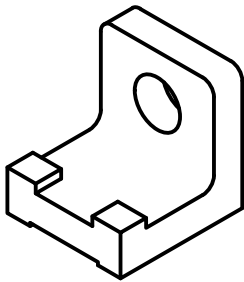
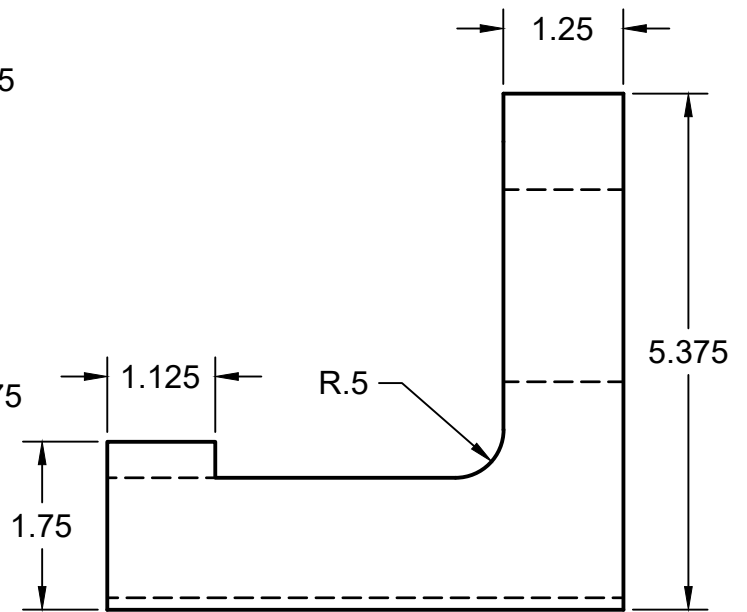
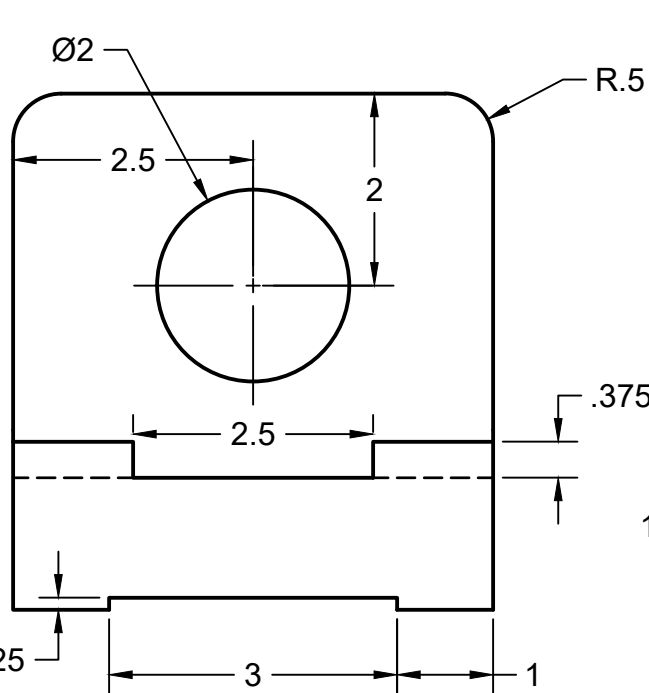
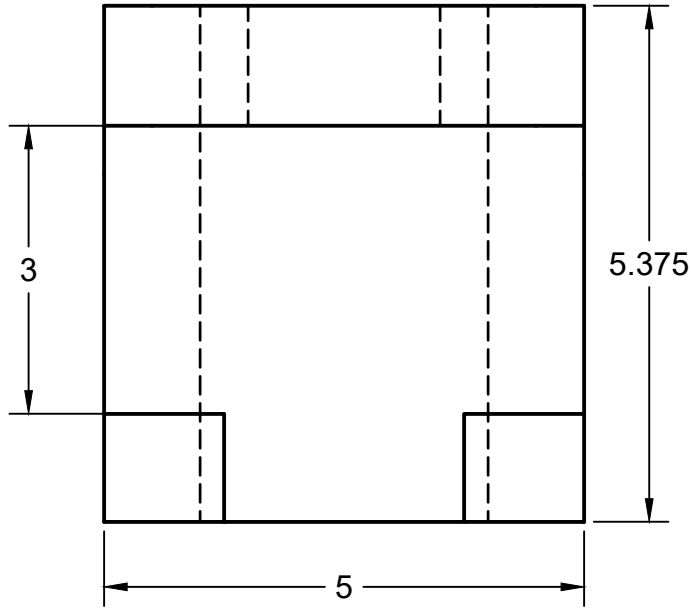
Eric Bredder

2/20/2019

SCALE 1:1

WEIGHT

SHEET 1/6



PROJECT
Wk5-Excercises

TITLE
4-2
Stainless Steel

APPROVED

CHECKED

DRAWN

Eric Bredder

2/20/2019

SIZE

A

CODE

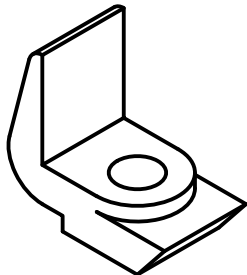
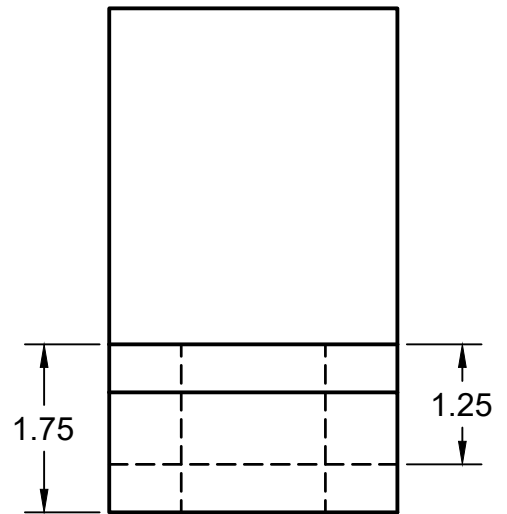
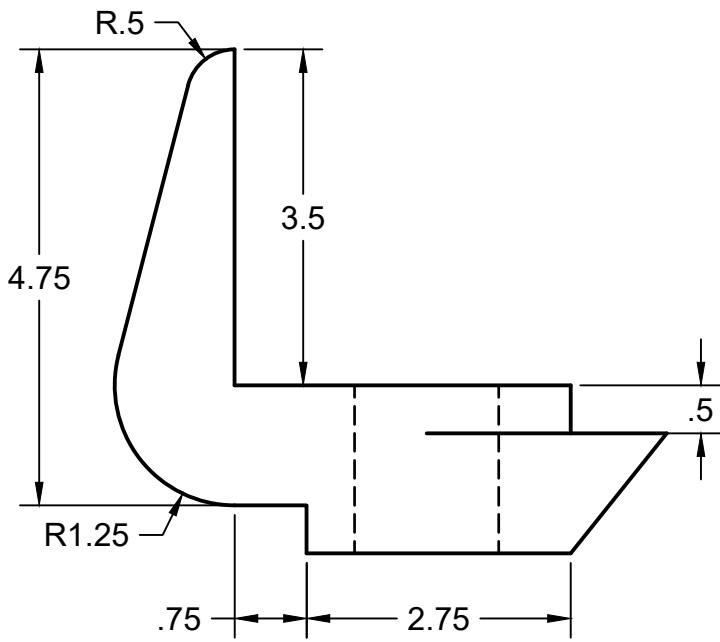
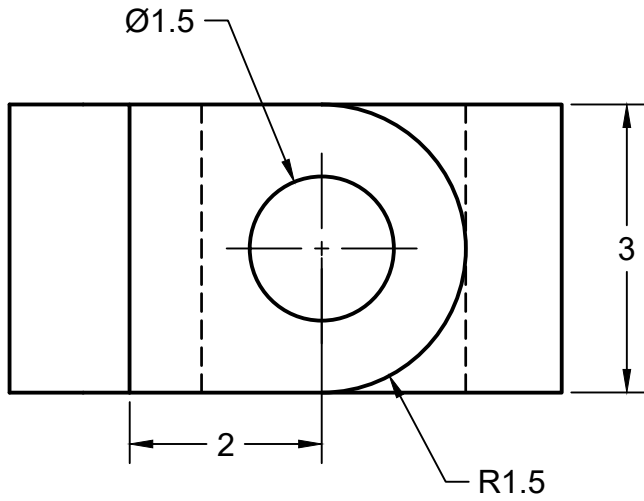
SCALE 1:2

DWG NO

WEIGHT

REV

SHEET 2/6



PROJECT

Wk5-Excercises

TITLE

**4-3
ABS Plastic**

APPROVED

CHECKED

DRAWN

Eric Bredder

2/20/2019

SIZE

A

CODE

DWG NO

REV

DRAWN

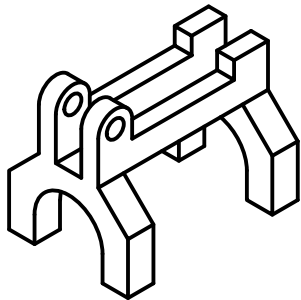
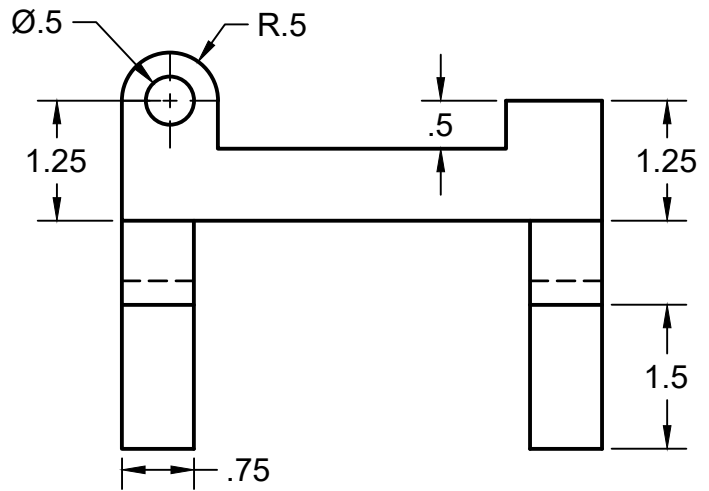
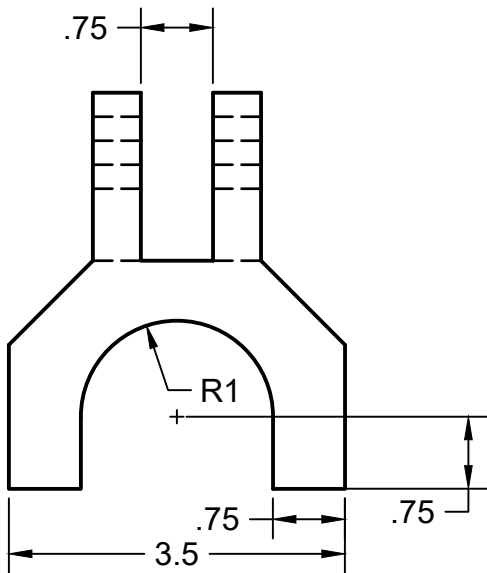
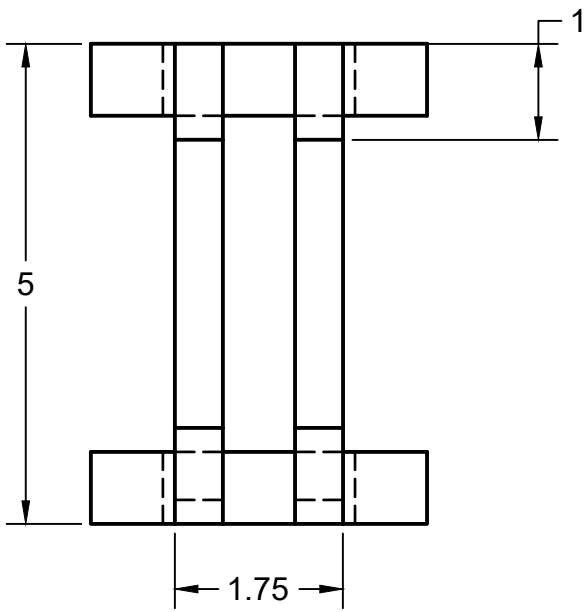
Eric Bredder

2/20/2019

SCALE 1:2

WEIGHT

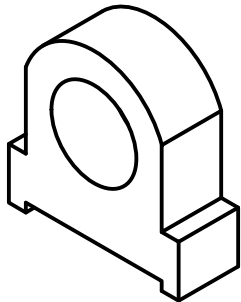
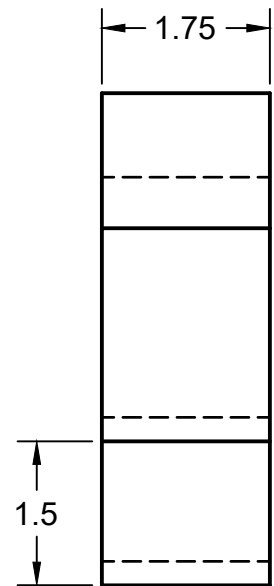
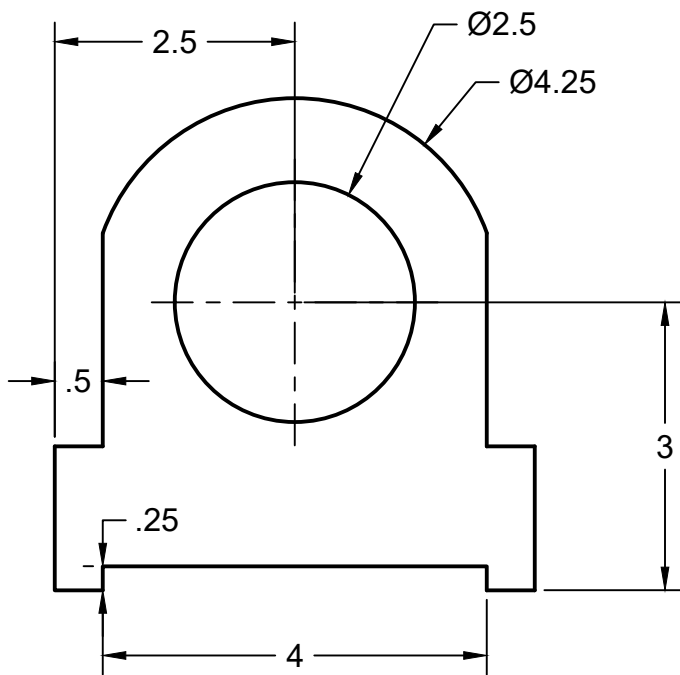
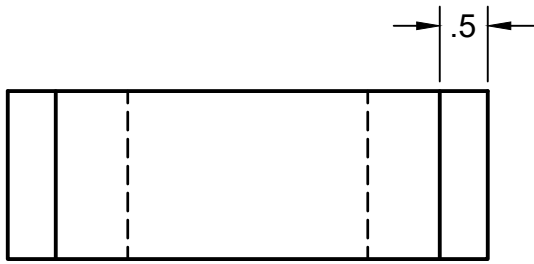
SHEET 3/6



PROJECT
Wk5-Excercises

TITLE
4-4
Cast Iron

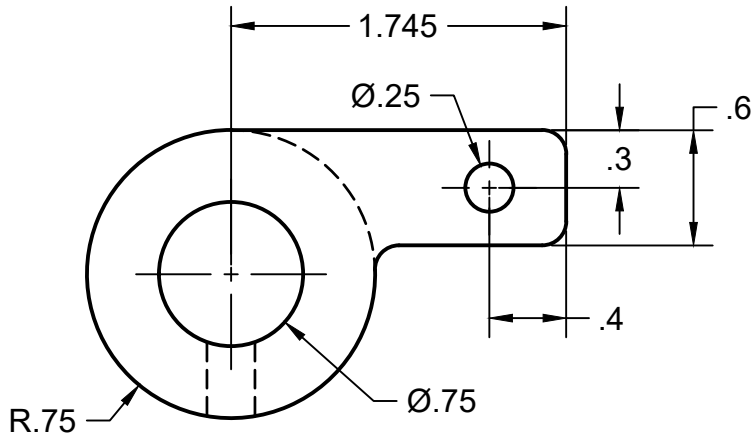
APPROVED	SIZE	CODE	DWG NO	REV
CHECKED	A			
DRAWN Eric Bredder 2/20/2019	SCALE 1:2	WEIGHT	SHEET 4/6	



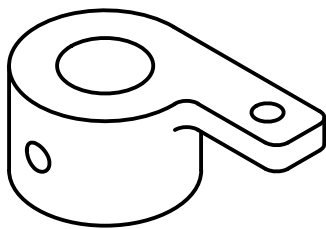
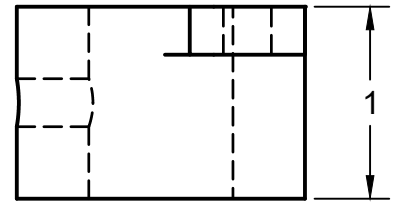
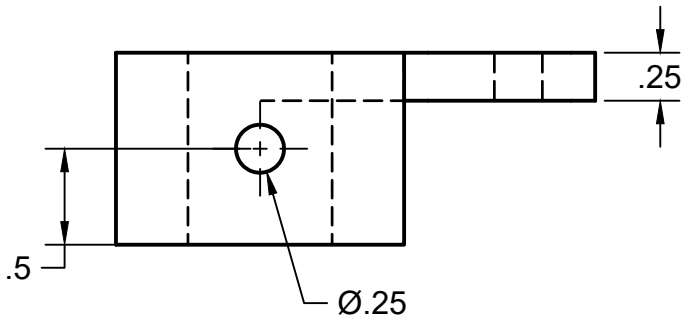
PROJECT
Wk5-Excercises

TITLE
**4-5
Cast Iron**

APPROVED	SIZE	CODE	DWG NO	REV
CHECKED	A			
DRAWN Eric Bredder 2/20/2019	SCALE 1:2	WEIGHT	SHEET 5/6	



Rounds/Fillets: R.125



PROJECT

Wk5-Excercises

TITLE

4-6

Aluminum-6061

APPROVED

CHECKED

DRAWN

Eric Bredder

2/20/2019

SIZE

A

CODE

DWG NO

REV

DRAWN

Eric Bredder

2/20/2019

SCALE 1:2

WEIGHT

SHEET 6/6